

KOOL KID SHADY

Canopy Assembly
Manual

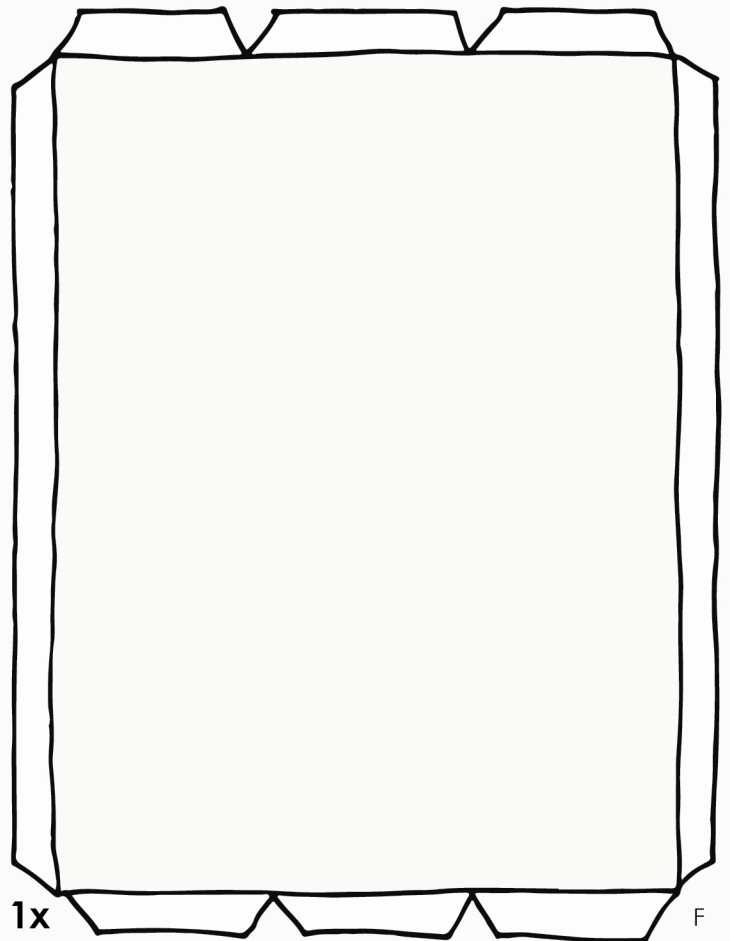
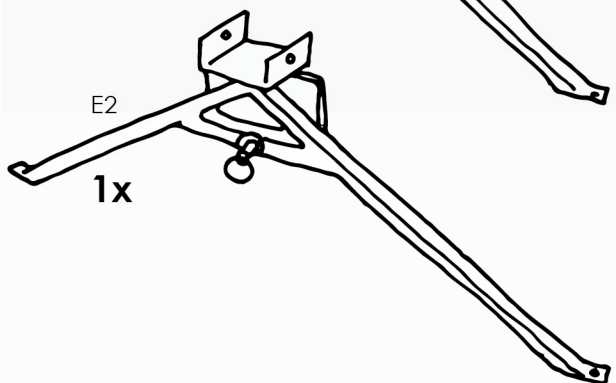
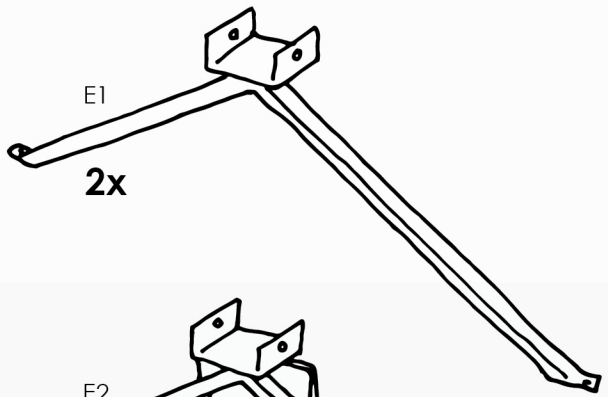
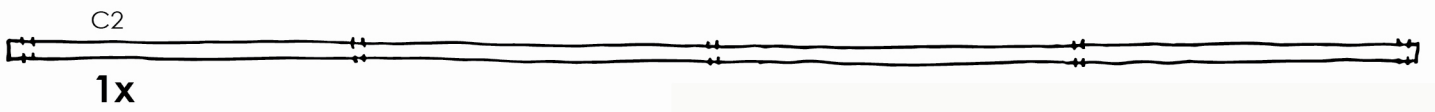
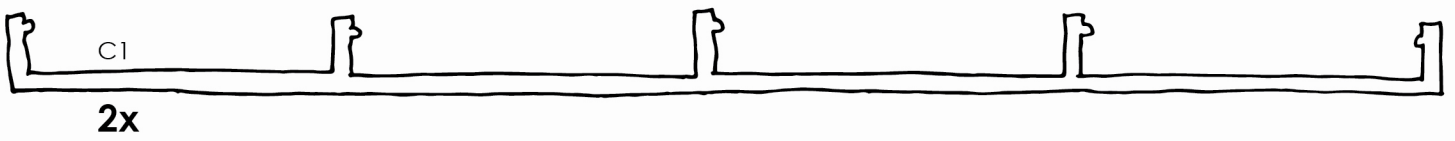
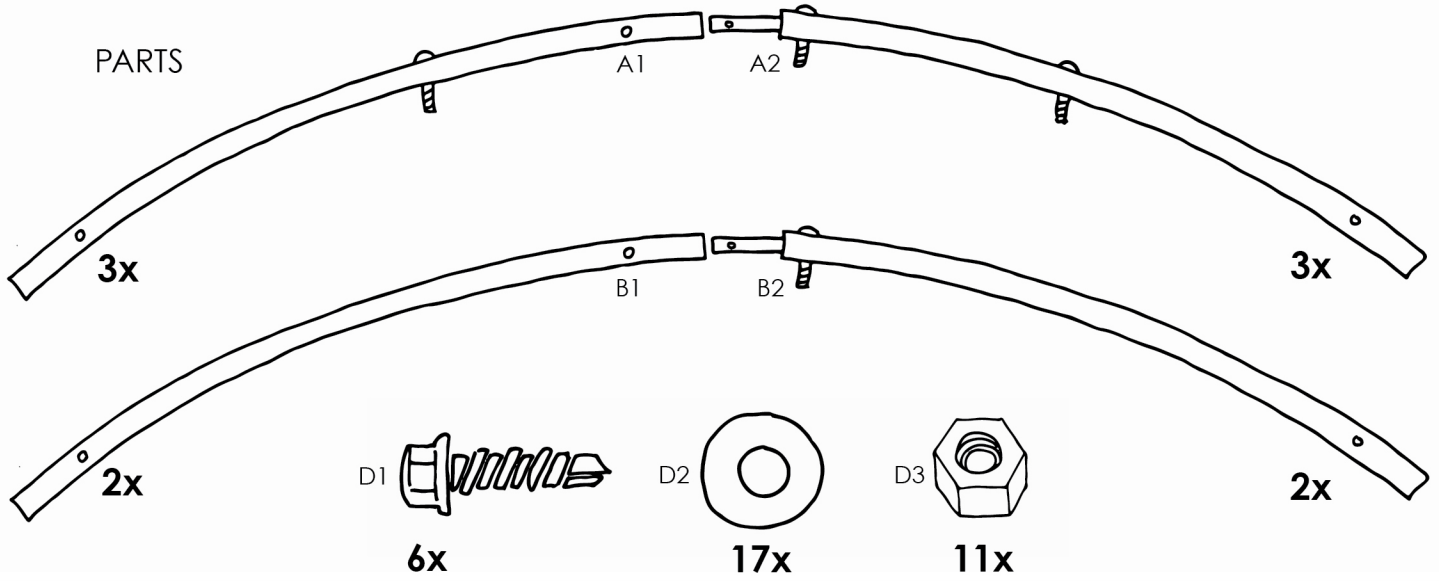


**PREVENTION
IS THE BEST
PROTECTION**

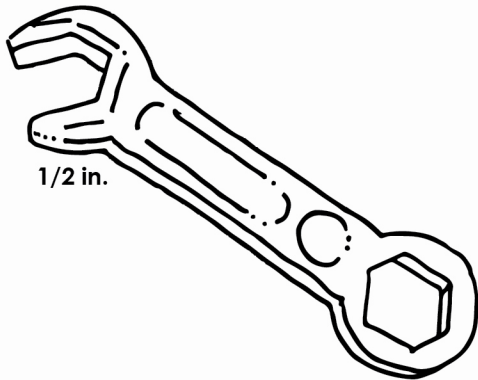
www.KoolKidShady.com



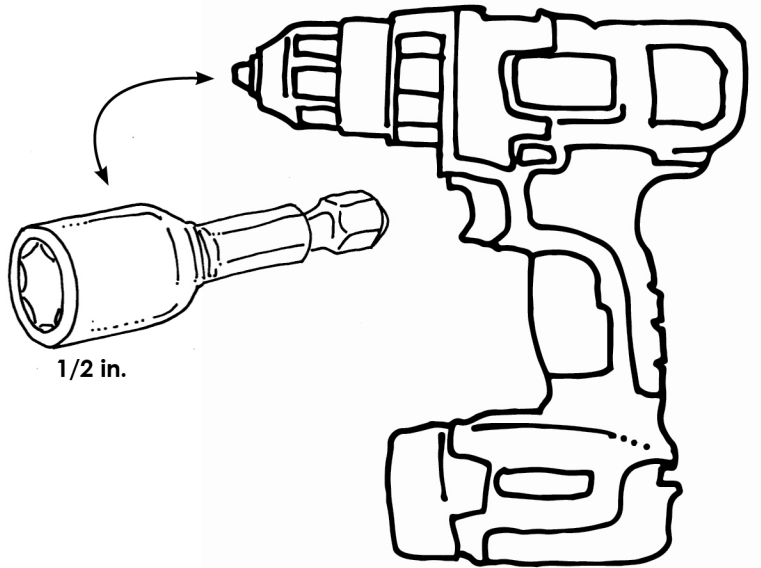
PARTS



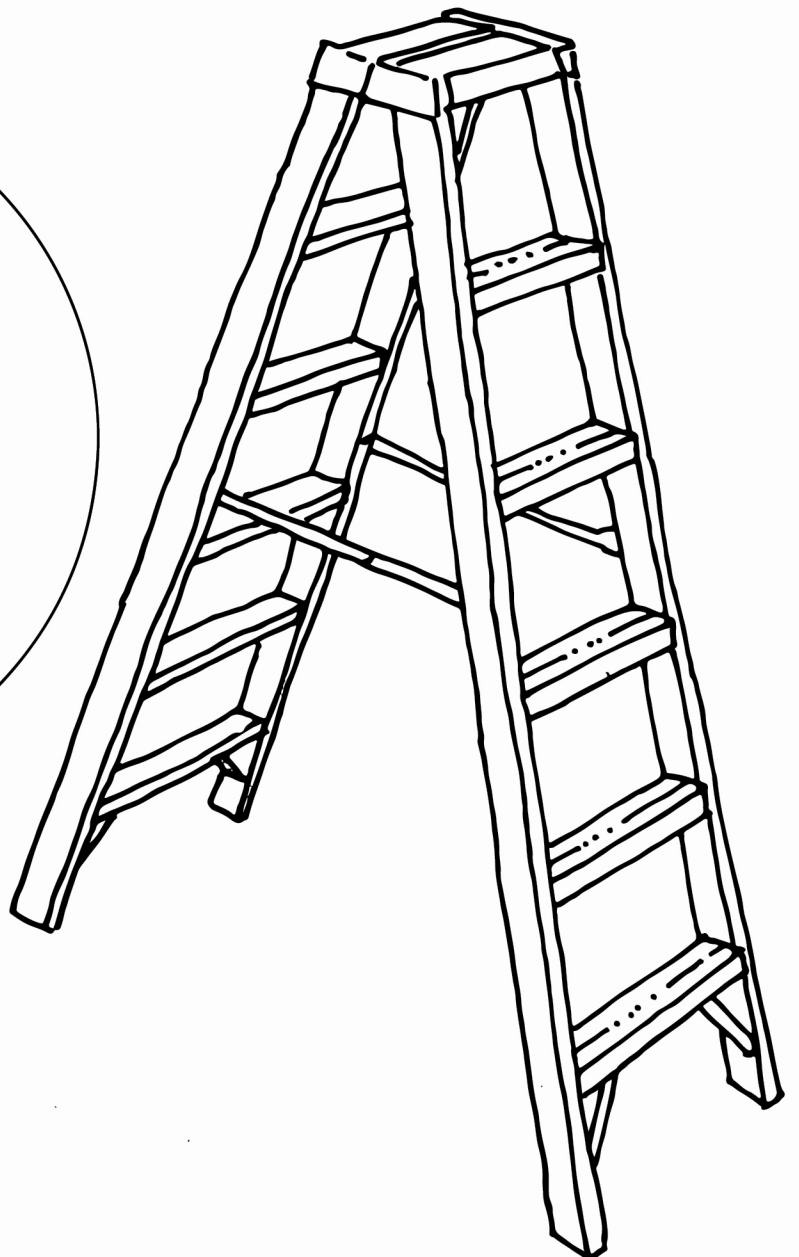
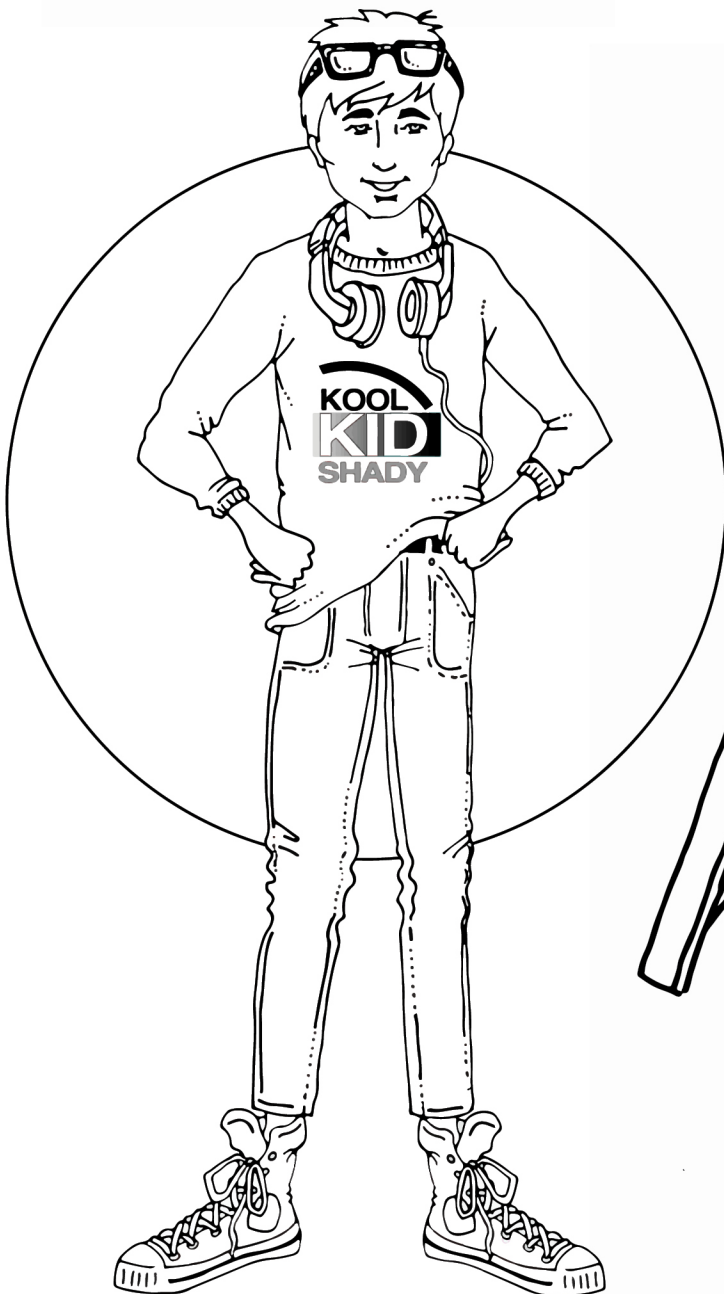
TOOLS (Not Included)



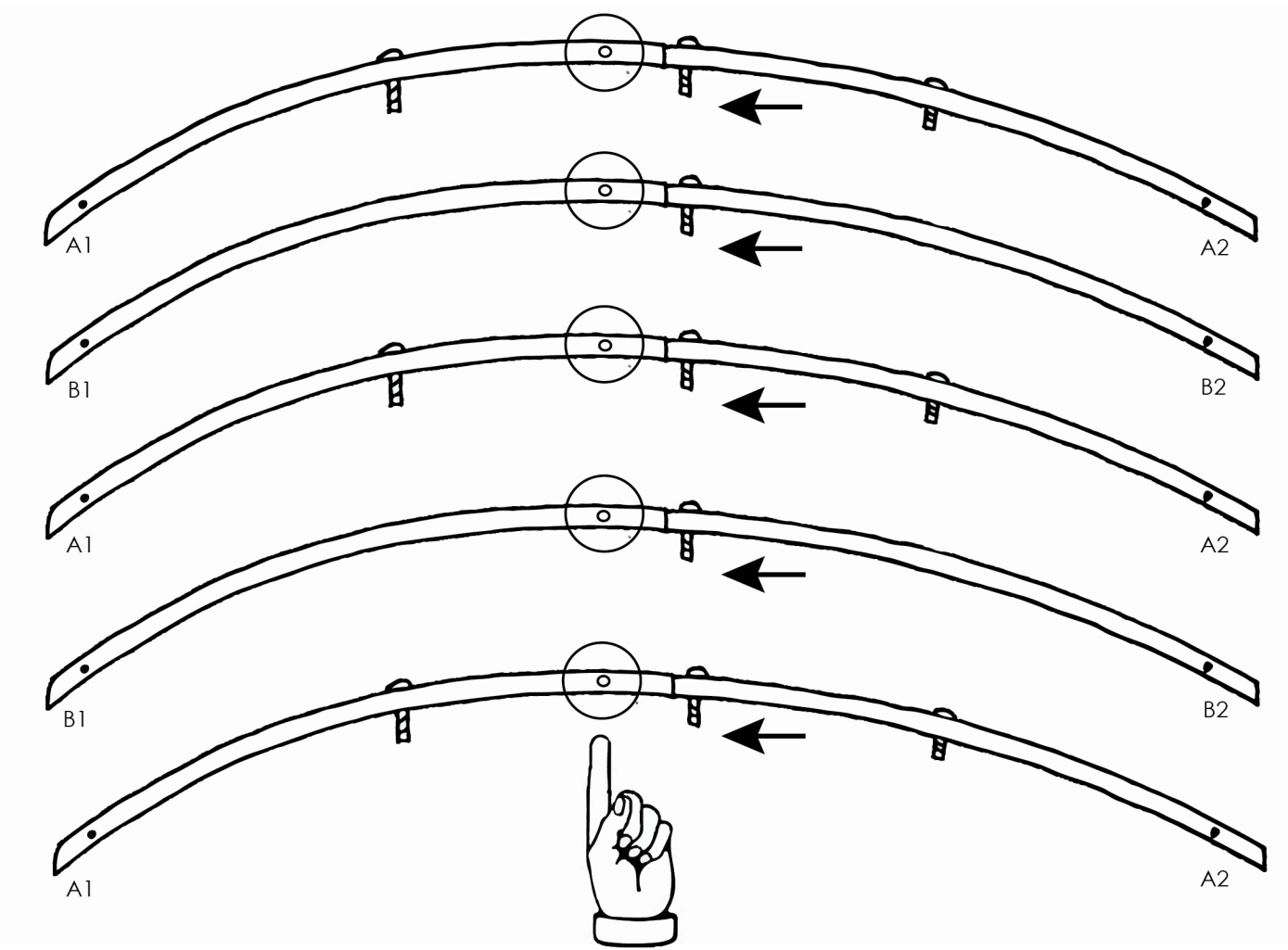
1/2 in.



1/2 in.

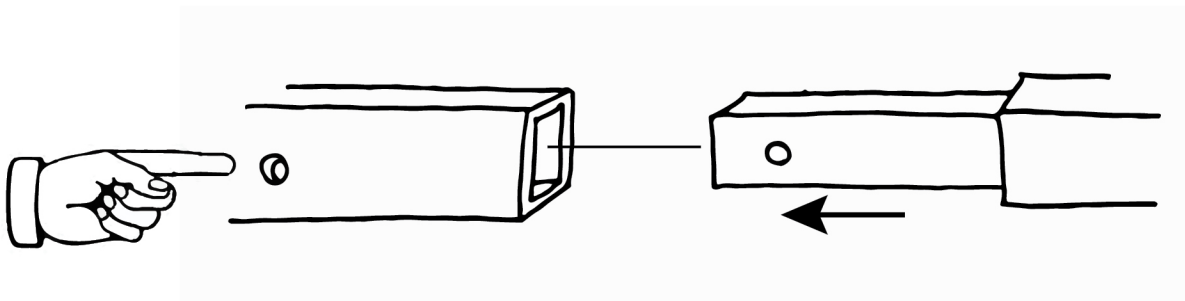


1

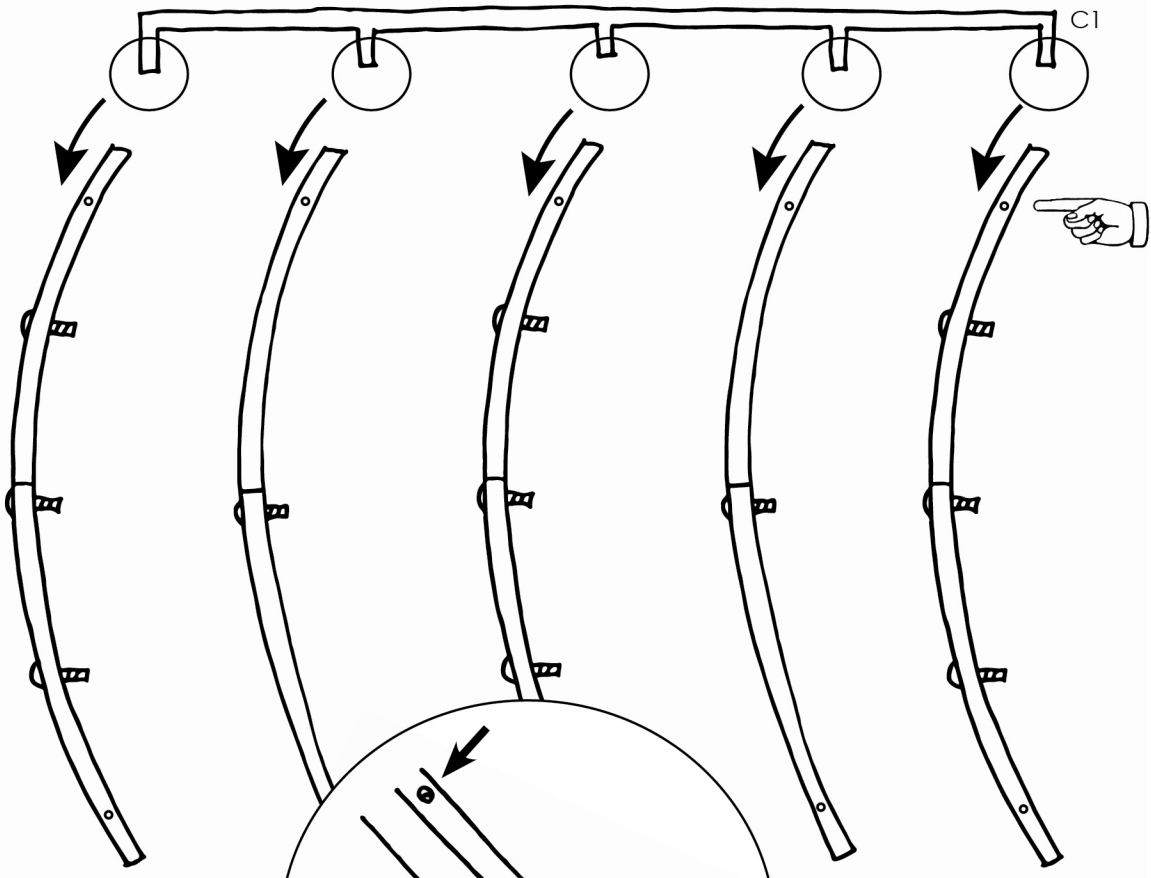


Caution (IMPORTANT)

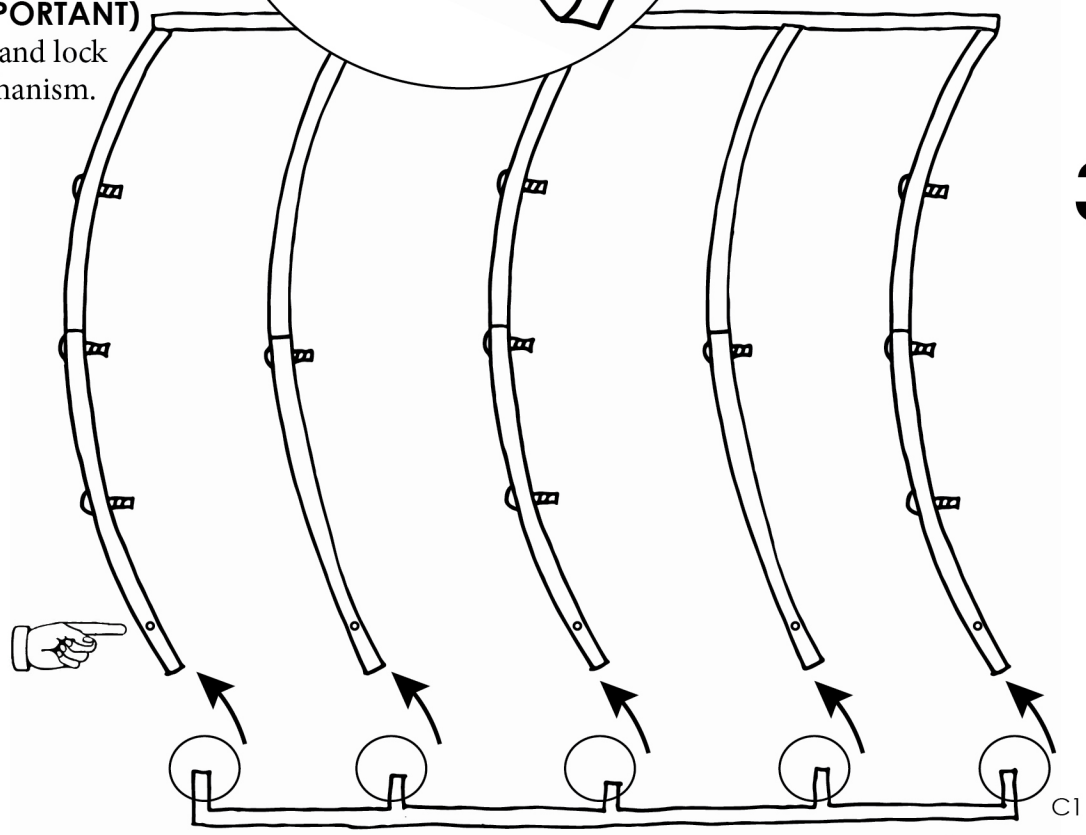
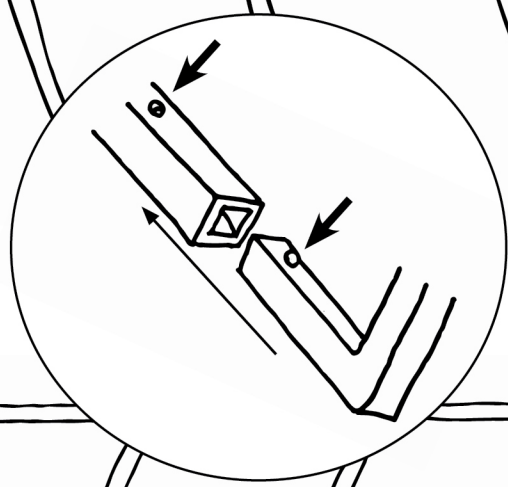
Pop and lock mechanism. Slide tracks together firmly until the pop and lock mechanism is activated. This secures both tracks. Clipping the pins will send small metal pins into place and secure the tracks. The “pop” secures them in place.



2

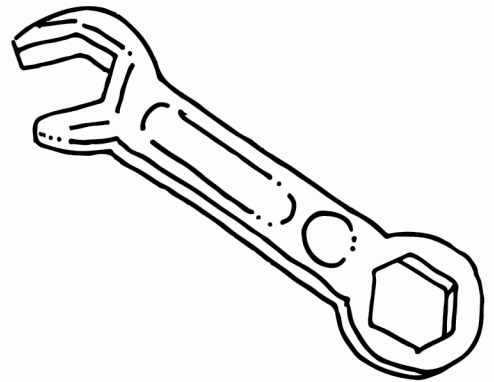
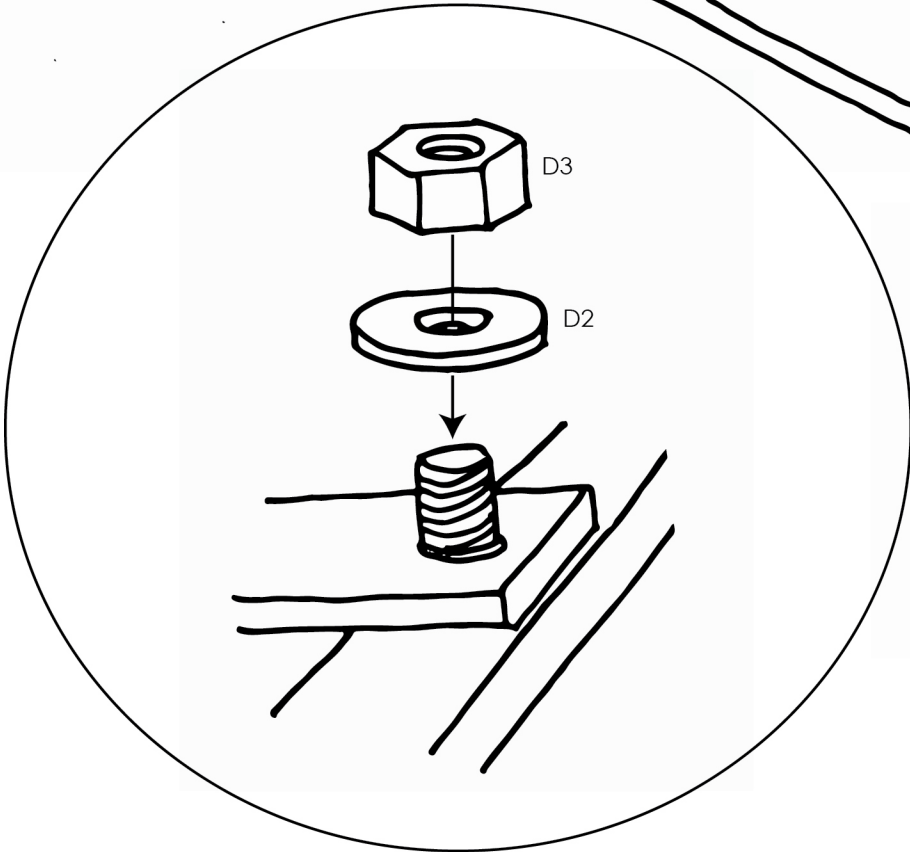
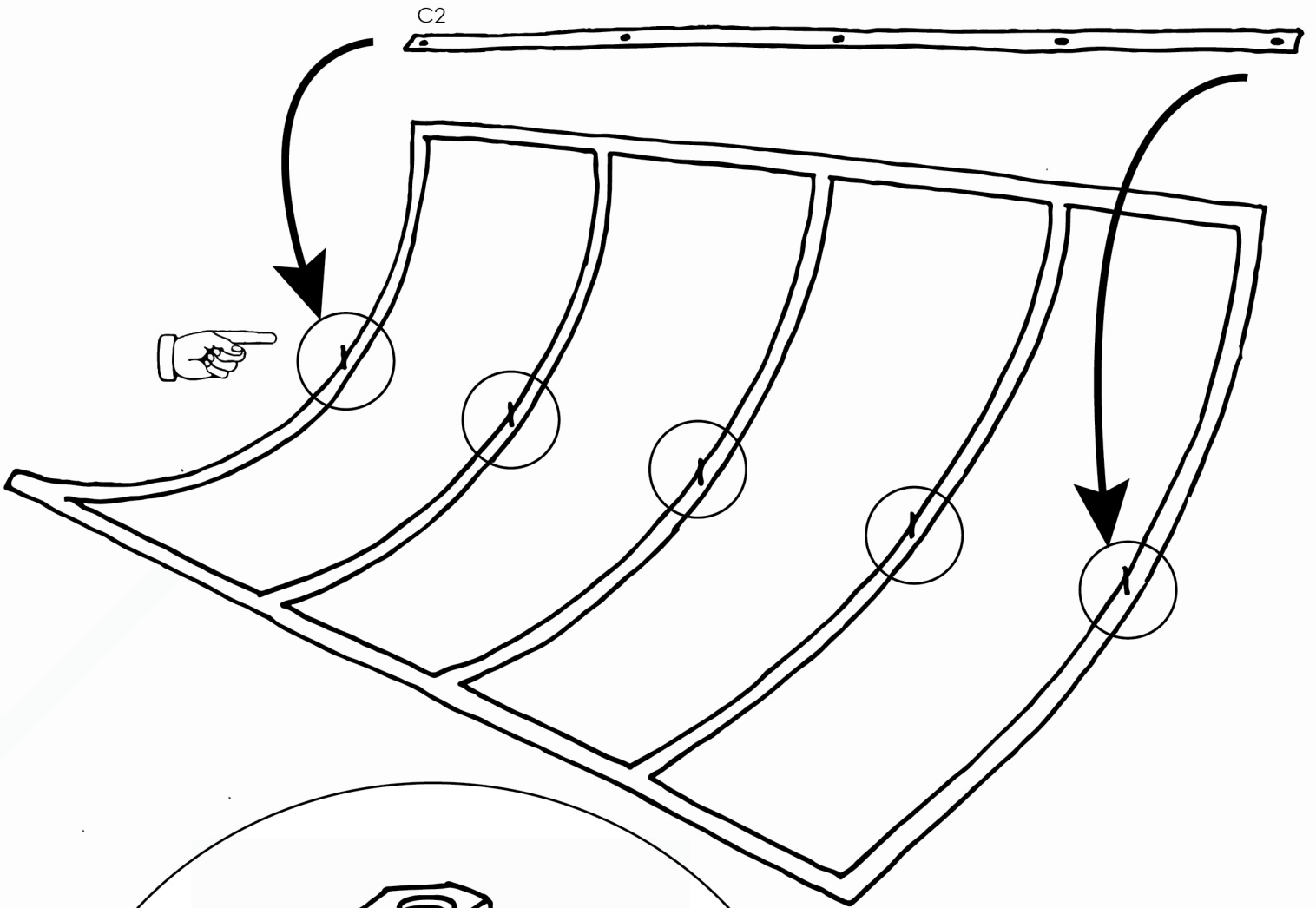


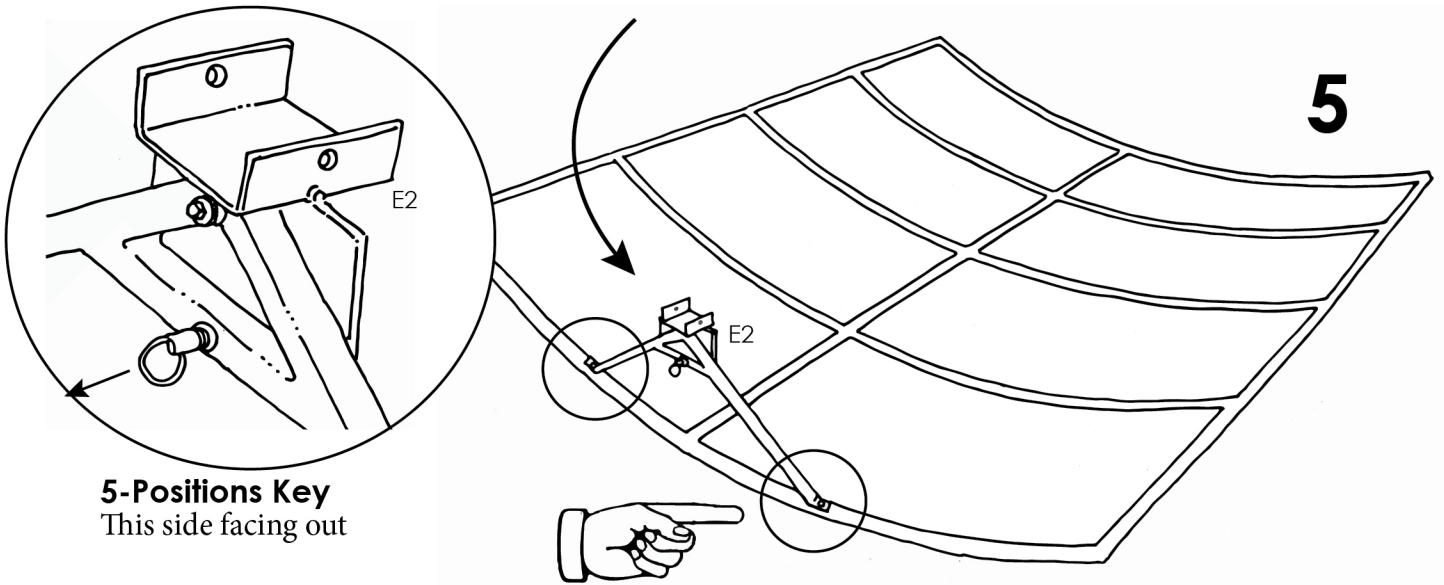
**Caution
(IMPORTANT)**
Pop and lock
mechanism.



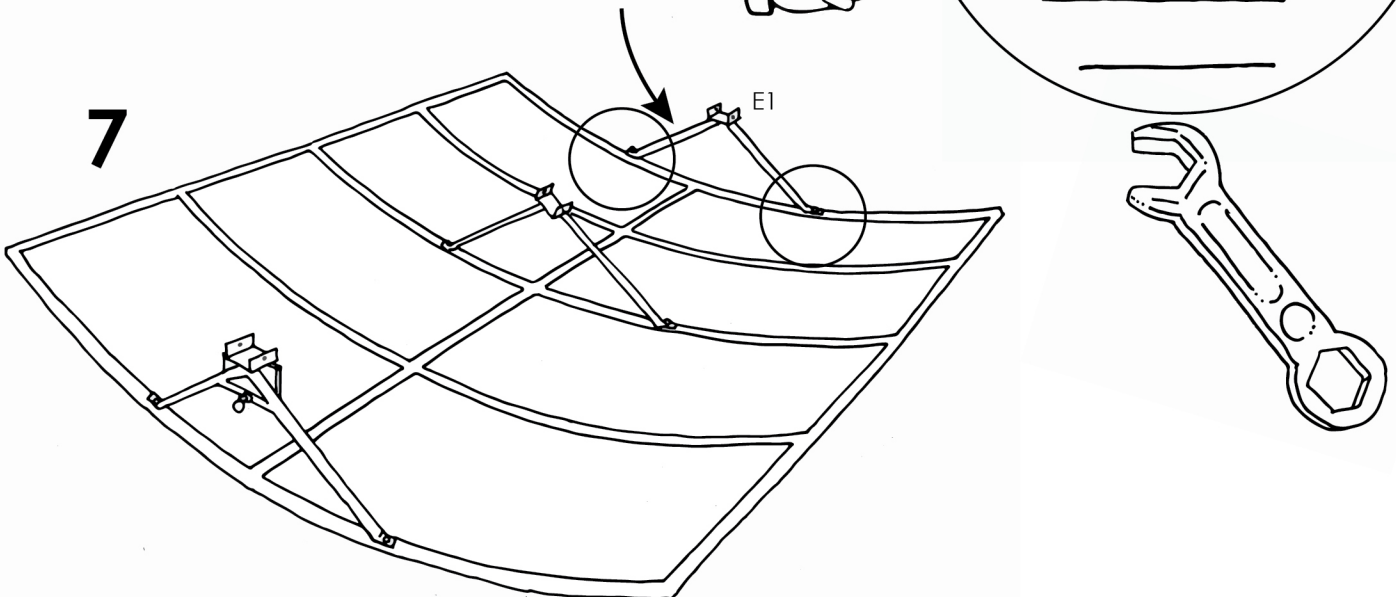
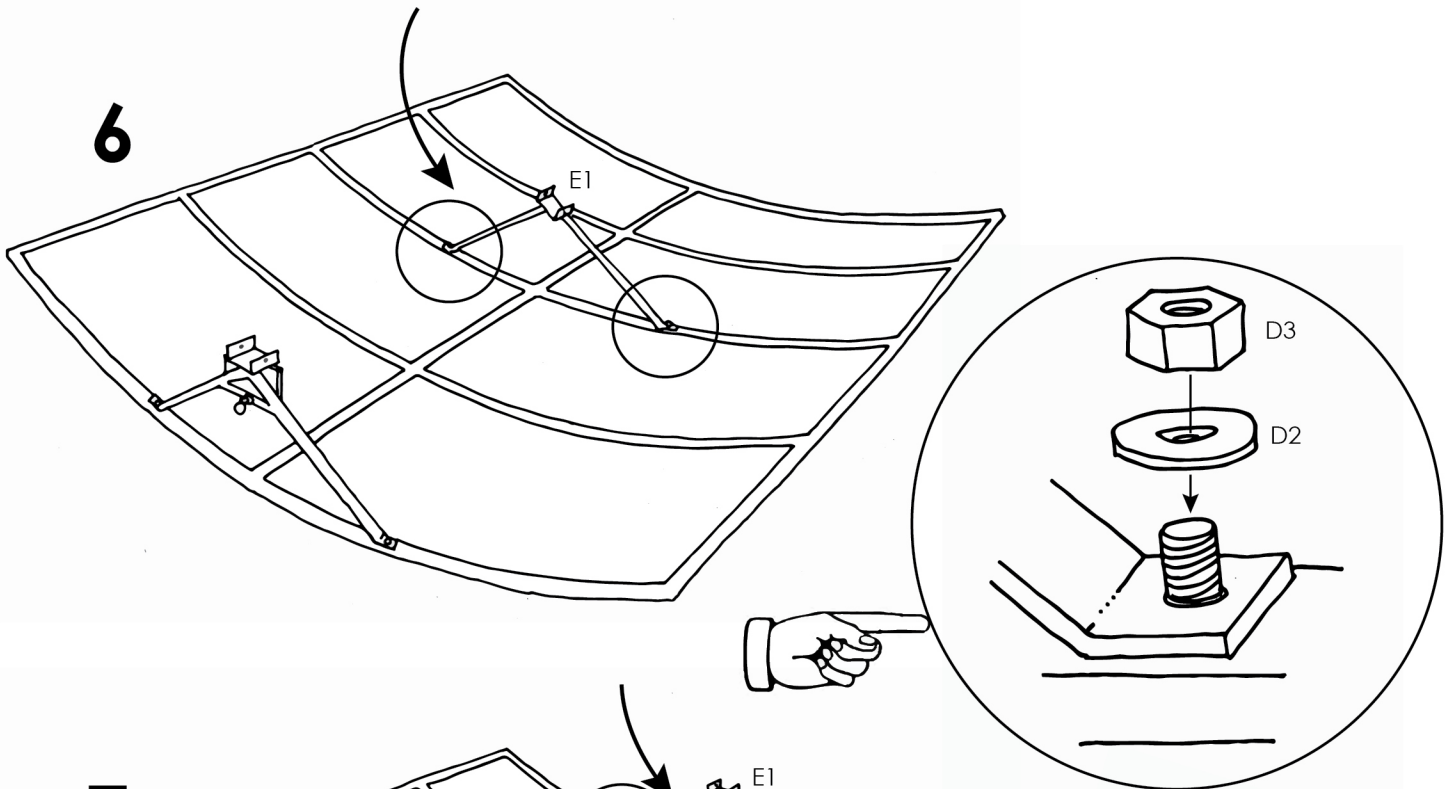
3

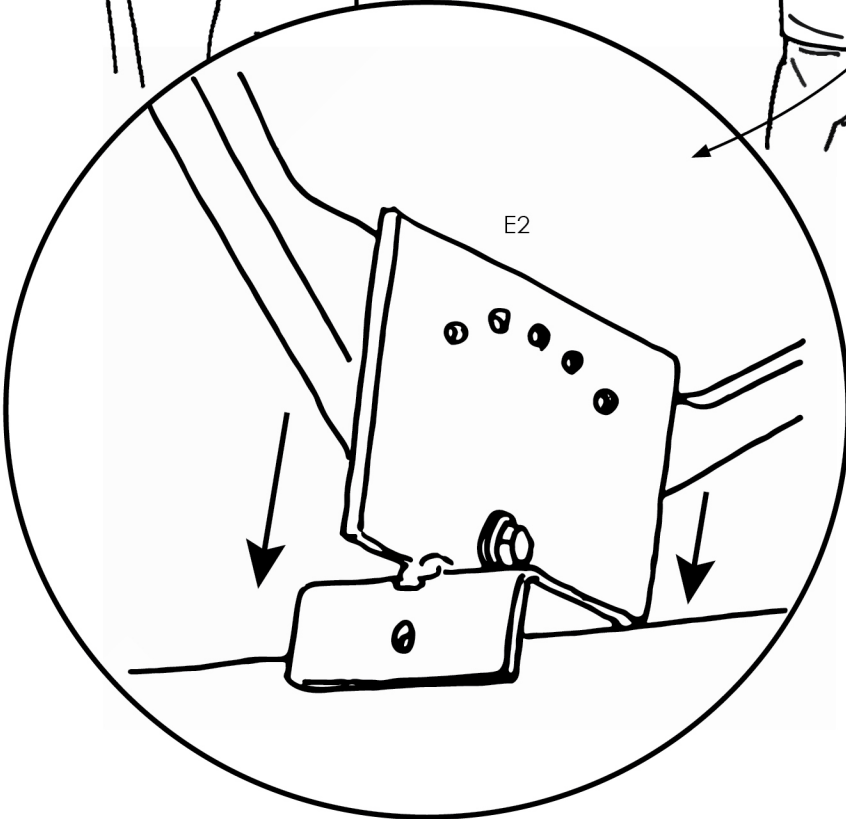
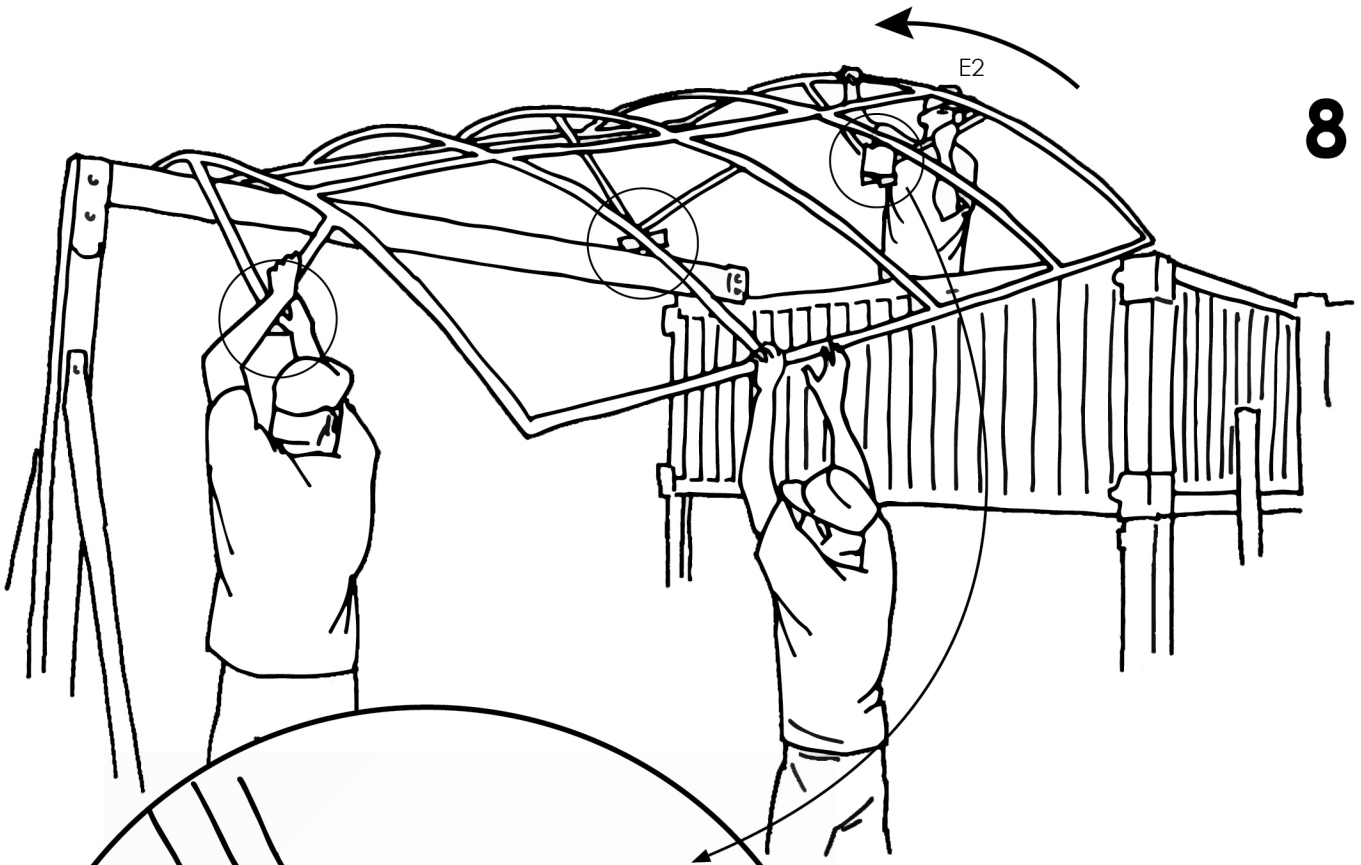
4



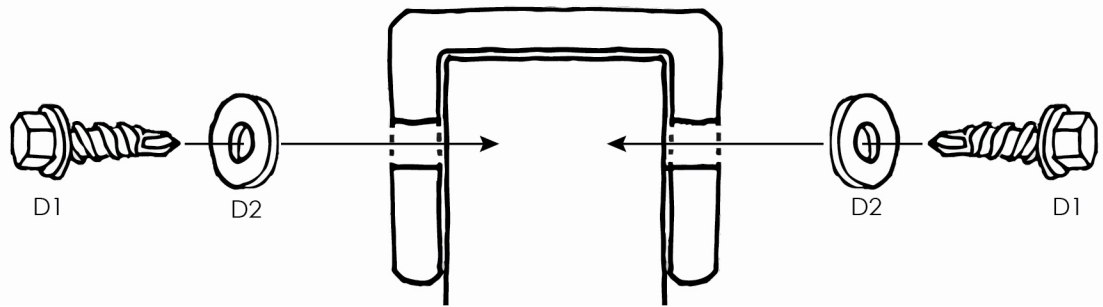
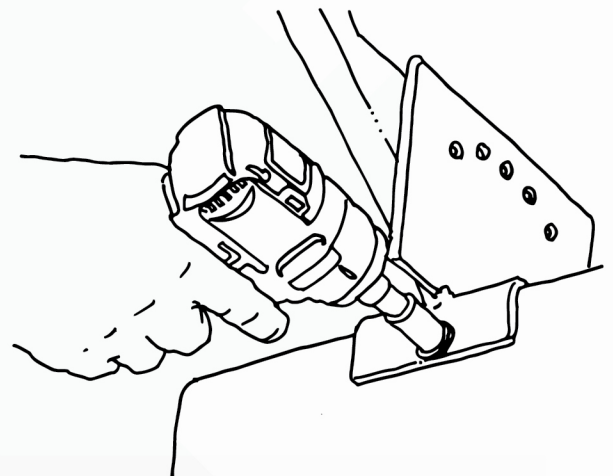


5-Positions Key
This side facing out

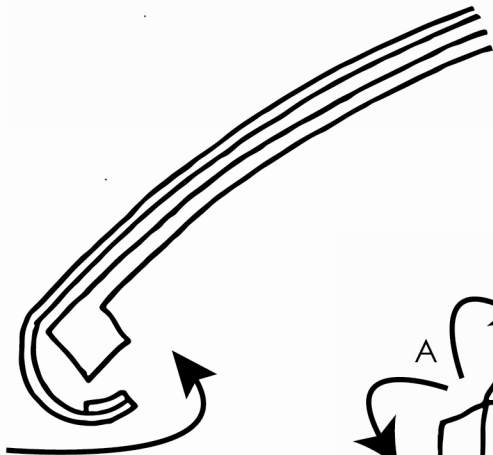
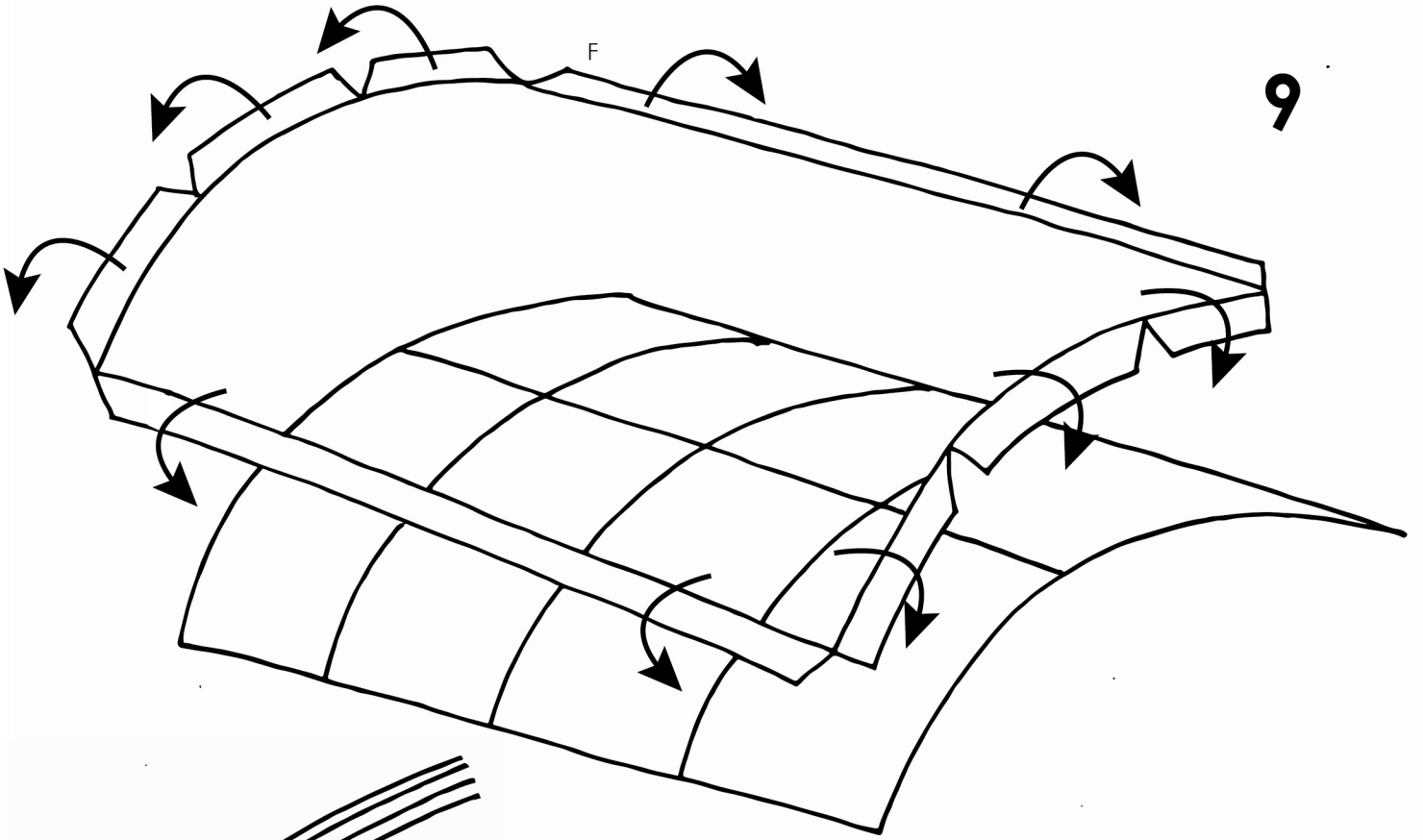




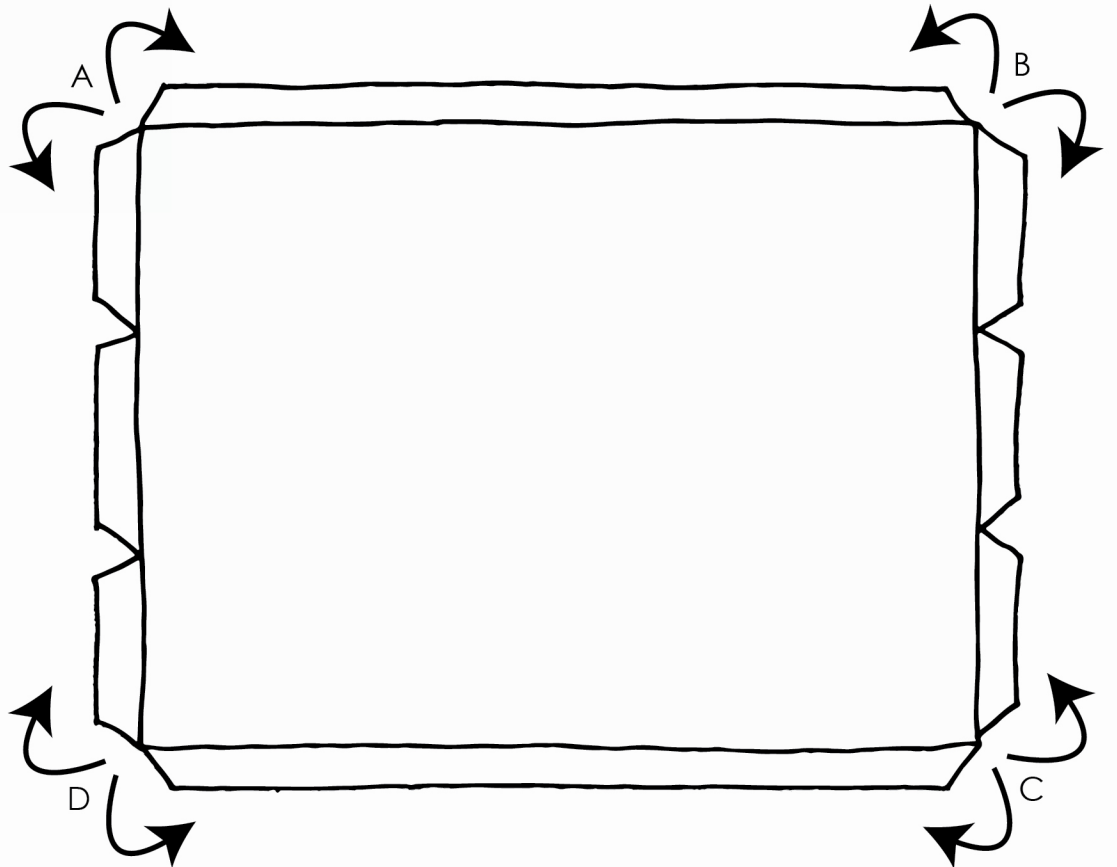
5-Position Key
Should be within reachable height



9

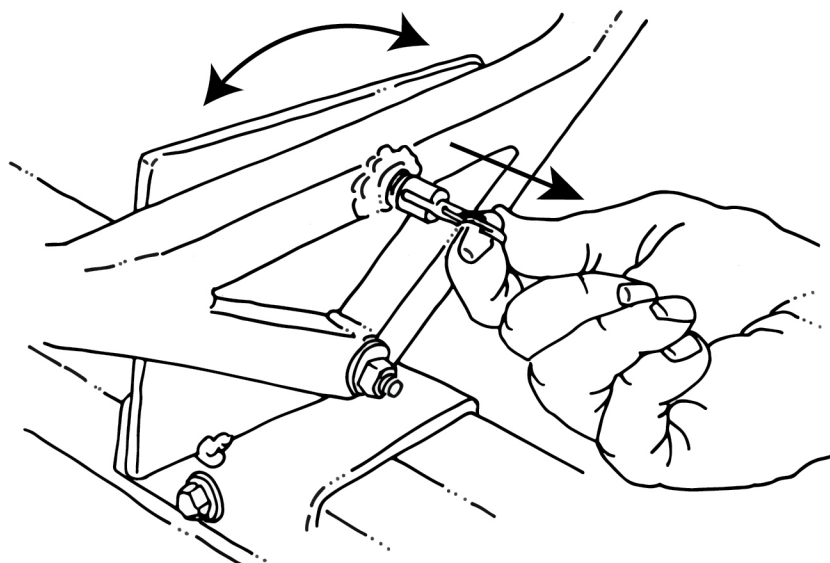
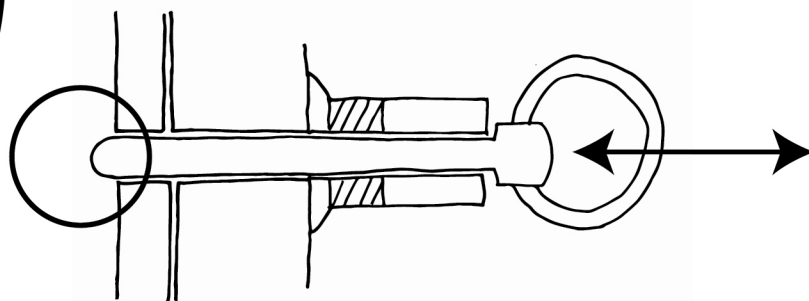
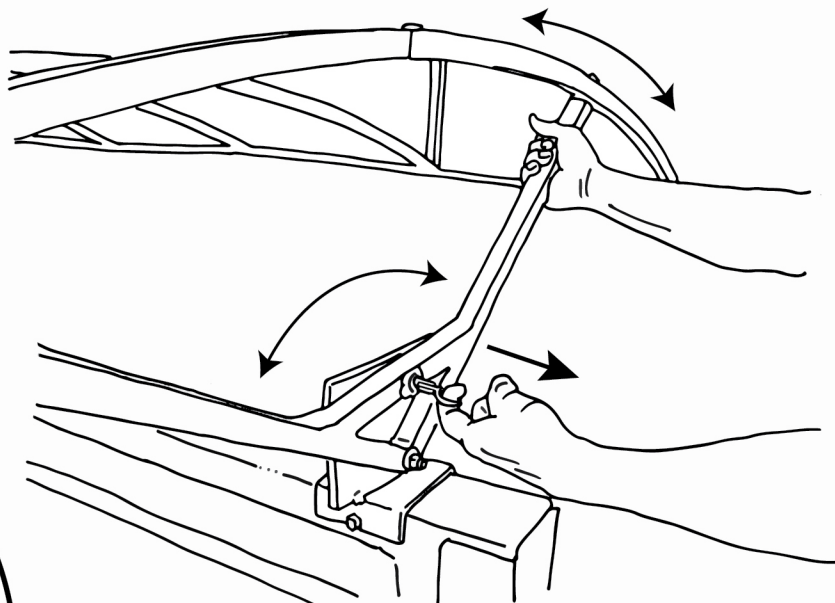
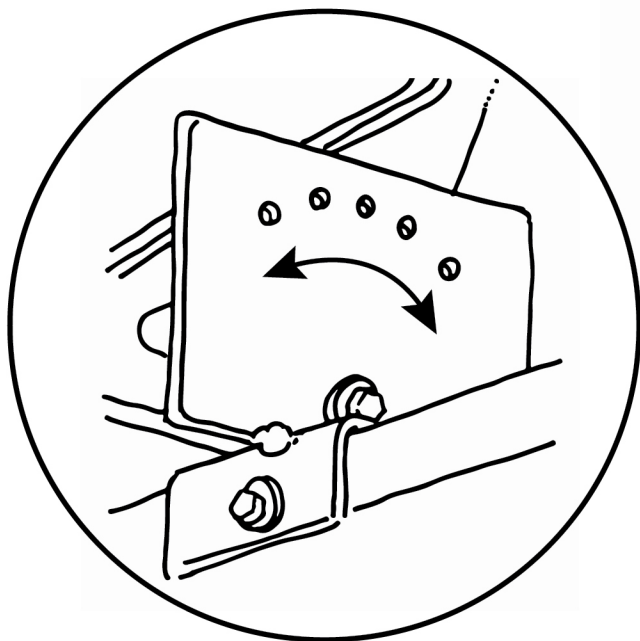


FOLD & ATTACH
(VELCRO)

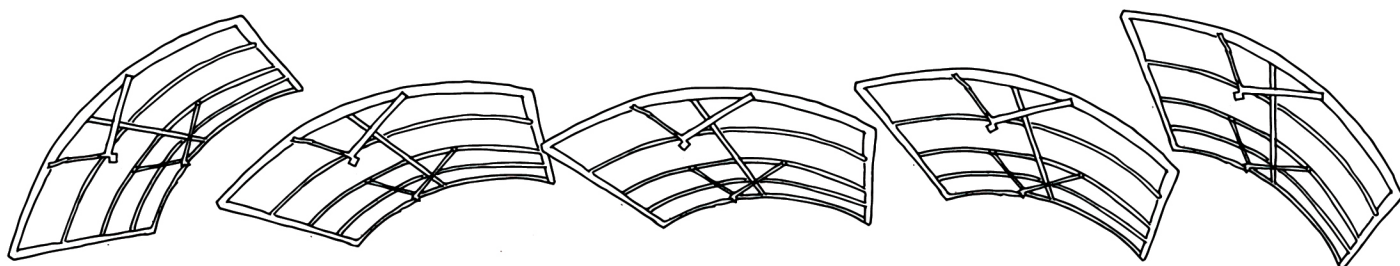


10

CANOPY 5 POSITIONS



**Caution
(IMPORTANT)**
Pop and lock
mechanism.



DISCLAIMER



PREVENTION IS THE BEST PROTECTION

www.KoolKidShady.com